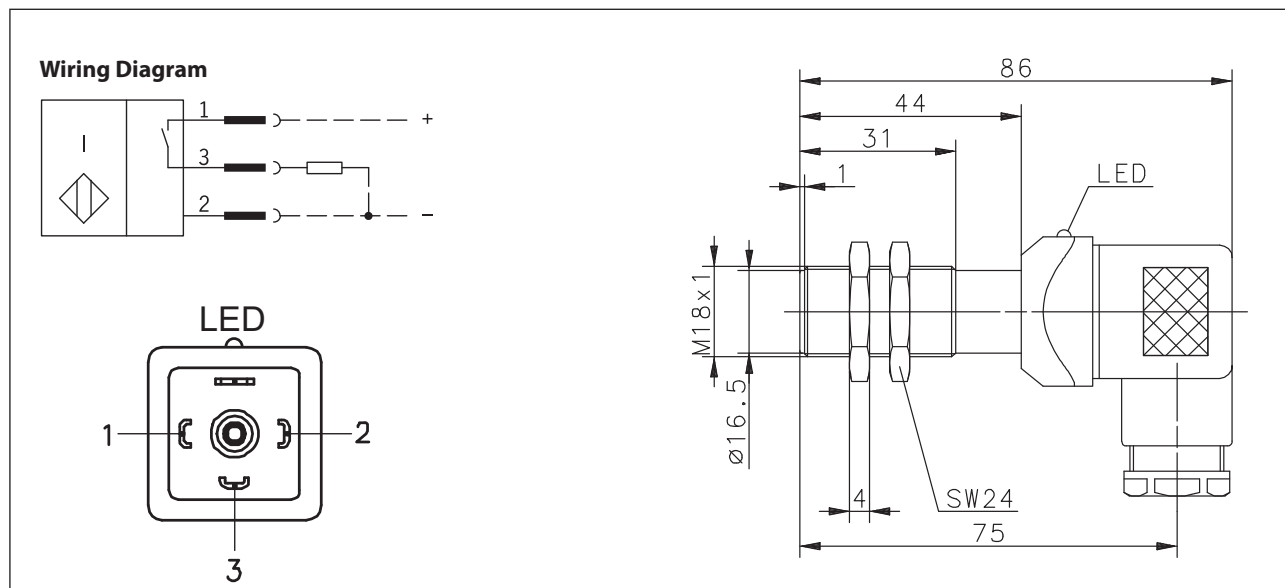


Inductive Proximity Switch Series M18

Description **KIB-M18PS/005-KLSDV**

Article number **6502940001**



Identifying characteristics in accordance with EN 60947-5-2

Electrical data		
Rated operating distance	S_n	5 mm
Standard target		18 mm x 18 mm, t = 1 mm; Material: FE360
Real sensing distance	S_r	4,5 ... 5,5 mm
Assured operating distance	S_a	0 ... 4,1 mm
Switching element function		N.O., DC
Repeat accuracy	R	≤ 5 %
Differential travel (hysteresis)	H	≈ 10 %
Operational voltage range	U_B	10 - 60 V DC
Rated insulation voltage	U_i	75 V DC
Rated impulse withstand voltage	U_{imp}	500 V
Voltage drop	U_d	≤ 2,5 V
Utilization category		DC-13
Rated operational current	I_e	200 mA
Off-state current	I_r	< 0,1 mA
No-load supply current	I_o	< 8 mA
Switching element		Permanent overload and s.c.p.
Short-circuit protection		pulsed
Frequency of operating cycles	f	500 Hz
Mounting		flush
False polarity protection		yes
Time delay before availability	t_v	≤ 50 ms

Electromagnetic compatibility (EMC)	
Electromagnetic field test	IEC 61000-4-3
Electrostatic discharge test	IEC 61000-4-2
Electrical fast transient immunity test	IEC 61000-4-4
Radiated disturbance field strength	EN 55011

Mechanical Data	
Front cap	PA 6.6, black
Enclosure	Brass, nickel plated
End cap	PA 6, black
Ambient air temperature	-25 °C ... +70 °C (plug: -30 °C +120 °C)
Type of protection	IP65 (only in fully locked position with it's plugs)
Pollution degree	3 (Pollution of the active zone can cause impairments of the operating distances.)
Indication	LED yellow
Termination type	Connection in dependence on DIN EN 175301-803
For attachment	2 x hexagon nut

EU Conformity	
acc. to directive 2004 / 108 / EC	